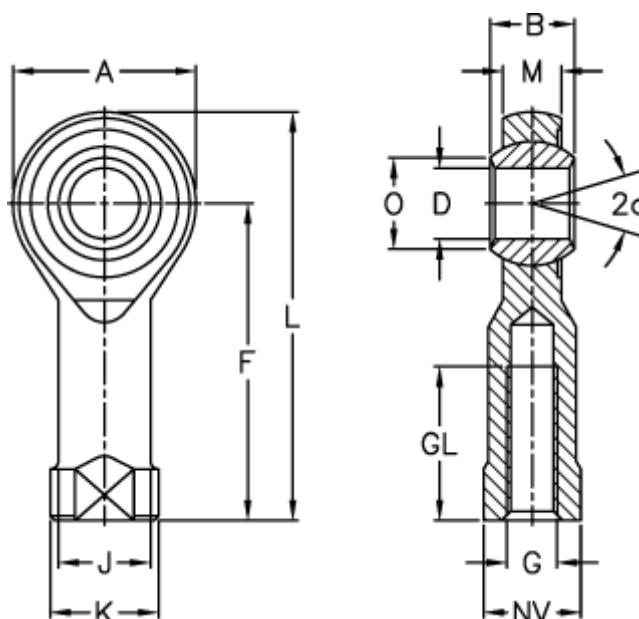


Article number: 03103012

Description: Fluro Rod End GIO 12
Without bushing

Measures



A	= 32	J	= 17.5	Weight (g) = 115
a (degrees)	= 13	K	= 22	
B	= 16	L	= 66	
D	= 12	M	= 12	
Dynamic load C (kN)	= 8.5	NV	= 19	
F	= 50	O	= 15.4	
G	= M12	Permissible rpm	= Ikke velegnet til rotation	
GL	= 22	Static load C0 (kN)	= 35	